

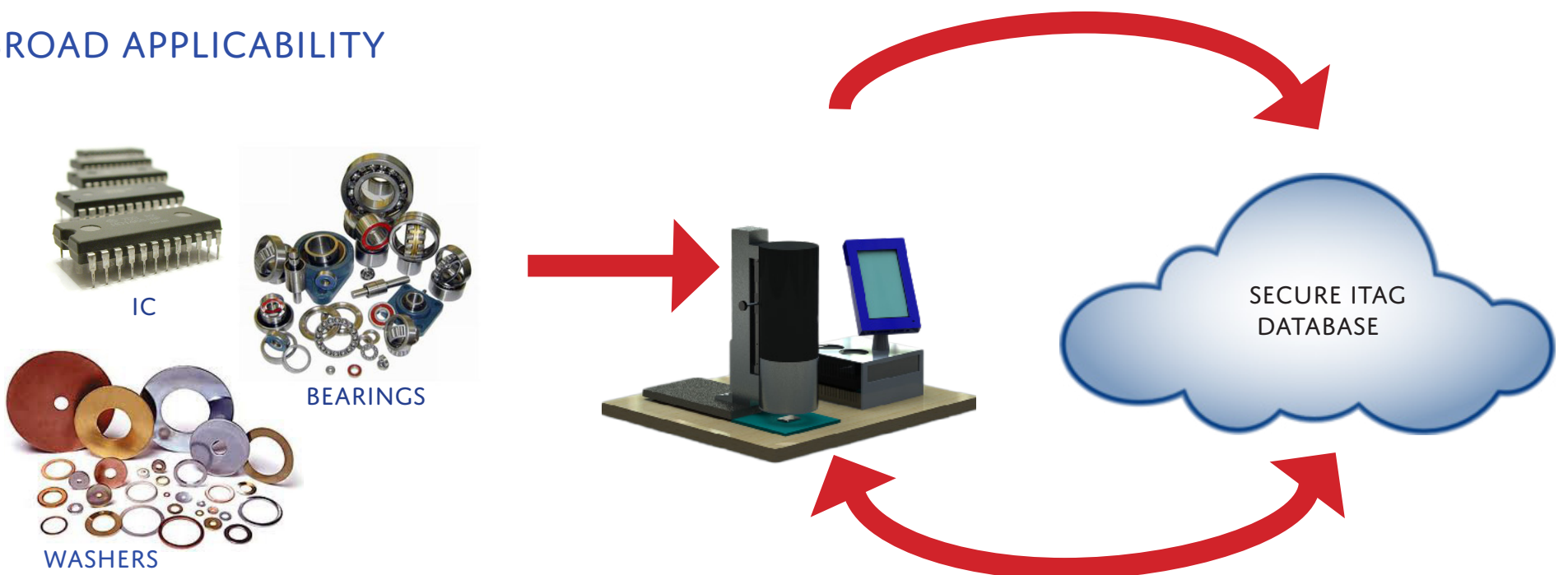
## “Tag-less” track and trace solution

Mitigate threats from counterfeit items in your supply chain.

Addresses the six high-risk Federal Supply Groups (FSG’s) identified by the US Defense Logistics Agency.

- Electrical and Electronic Components (FSG 59)
- Engine Accessories (FSG 29)
- Pipe, Tubing, Hose, and Fitting (FSG 27)
- Hardware and Abrasives (FSG 53)
- Vehicular Equipment Components (FSG 25)
- Bearings (FSG 31)

### BROAD APPLICABILITY



## Value Proposition

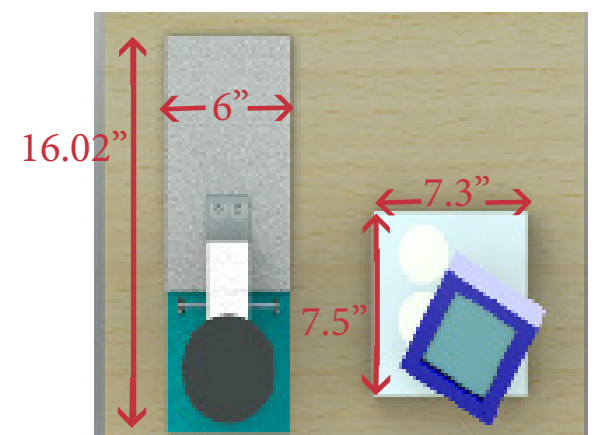
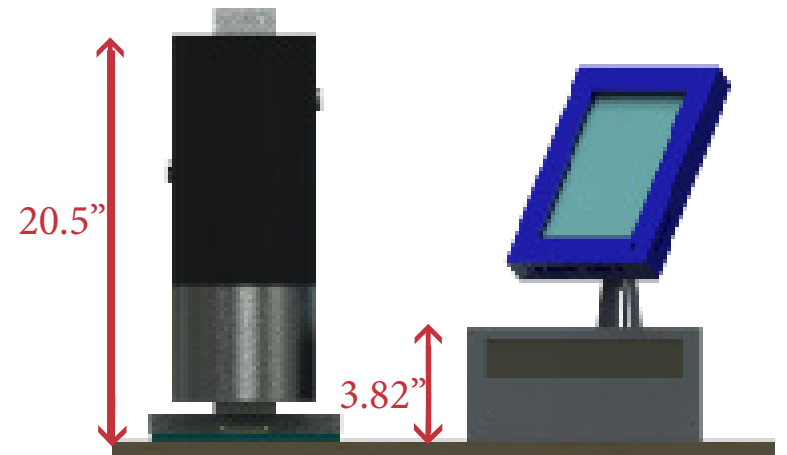
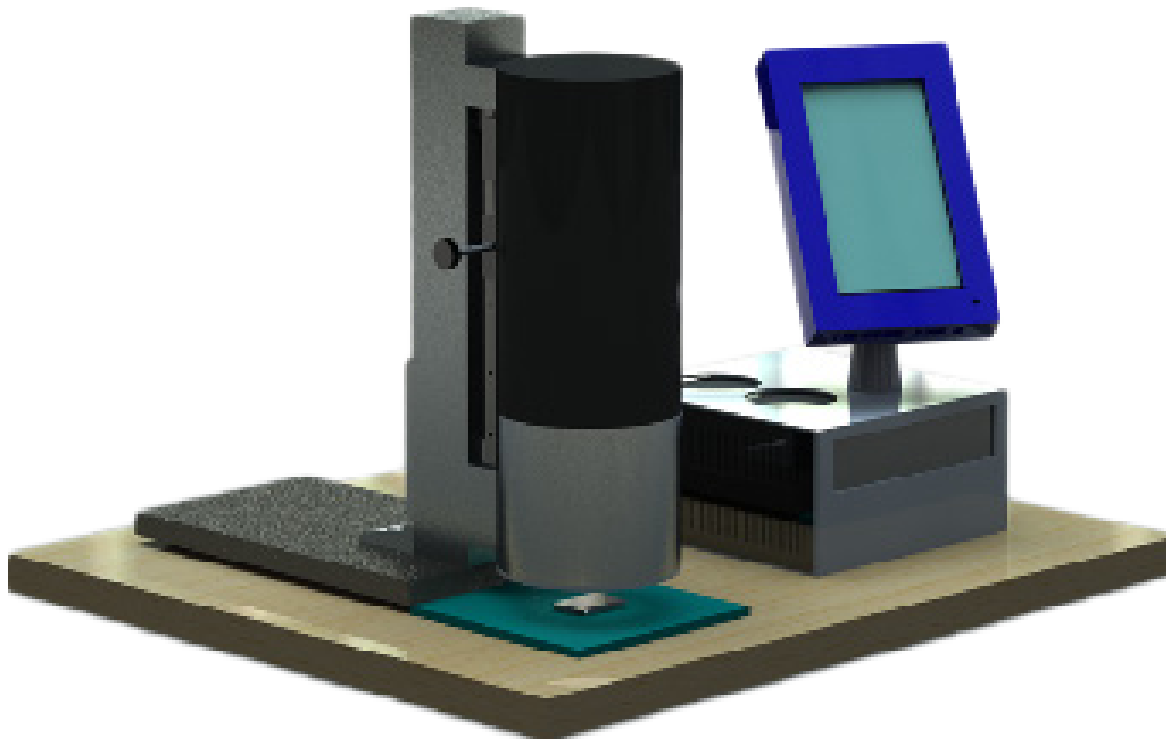
Based on mature image capturing optical technique

- Non-contact and “tag-less” – avoids handling and warranty issues
- Rapid (~1second) on-site enrollment/authentication
- Easy to operate; requires minimal training
- Integrate easily with manufacturing workflows (high and low throughput)

## Availability

First release in **June 2015**.

Enrolling pilot customers NOW.



## Contact

Harshad Sardesai Ph.D.; VP of Business Development

[hsardesai@chromologic.com](mailto:hsardesai@chromologic.com)

626.381.9974 x 148

## Sponsors

